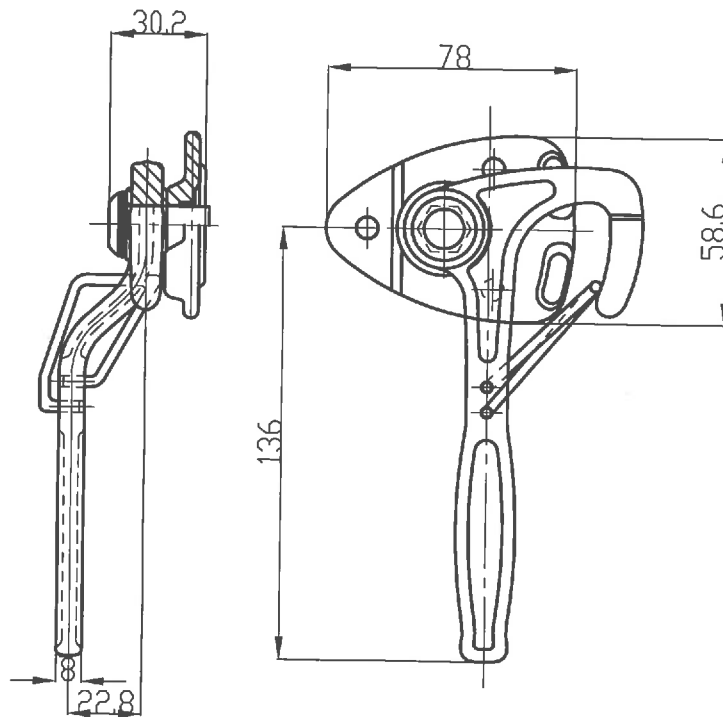
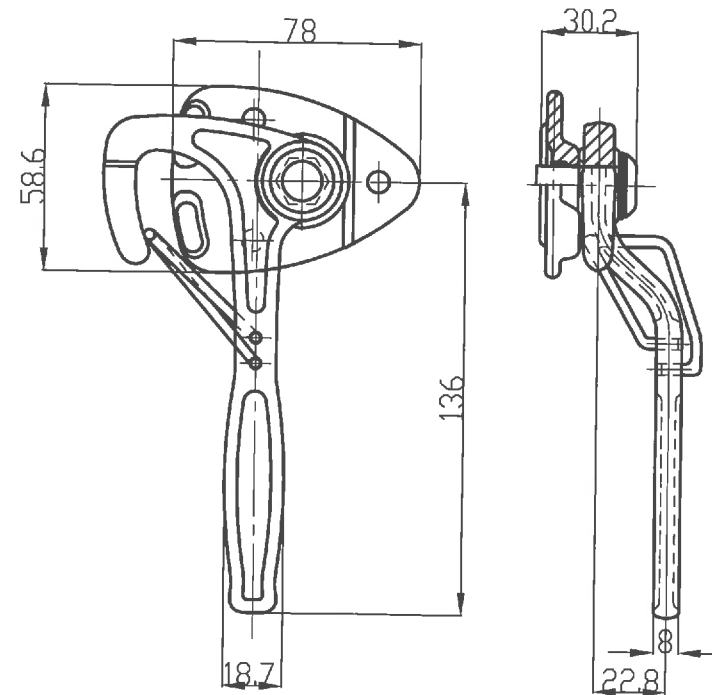


A10519-136(L)



A10519-136(R)



NOTES:

- 1.MATERIAL:Q235 or 45#
- 2.FINISHING: DEBURRING,GALVANIZED IN YELLOW OR ZINC PIATE
- 3.HEAT TREATMENT:WELL TEMPERED
- 4.TOLERANCE:CHINA GB STANDARD
- 5.UNIT:MM

Protempo b.v.  
Art. Nr: 884.576.621.001 / Links