

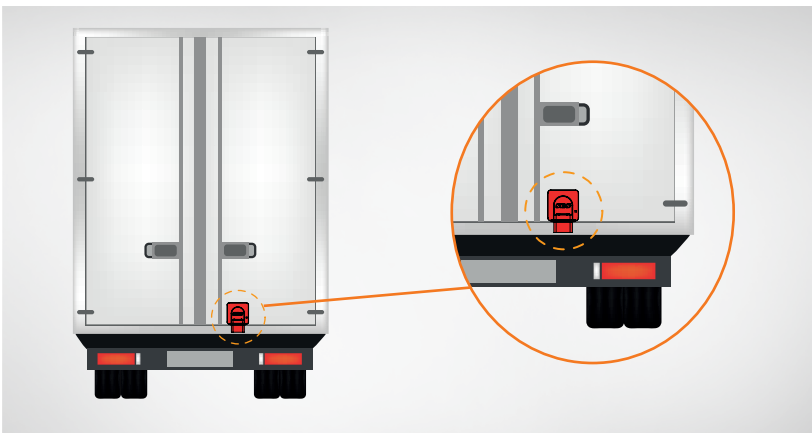


SBS BDL

Barn Door Lock

The SBS BDL lock is the door lock of choice for many carriers.

The doors are locked using a padlock that connects the steel door plate to a stainless steel housing. The stainless steel housing can be attached to the chassis or to the left-hand door. The SBS BDL is ideal for long-distance transport using various carriers.



The BDL security lock is, in combination with the Abloy Protect PL358 padlock or the SBS PL7000 padlock, Kiwa SCM heavy duty approved. Which means that the lock keeps professional thieves busy for at least 5 minutes. The Kiwa SCM quality mark is important to insurers because it proves that a vehicle has been fitted with an approved and certified security device.

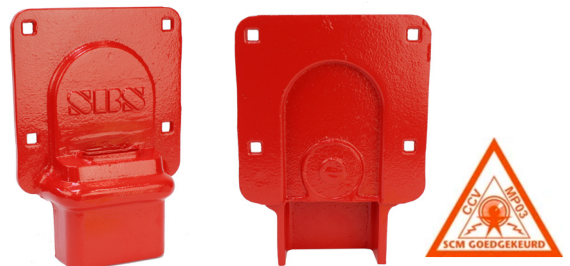
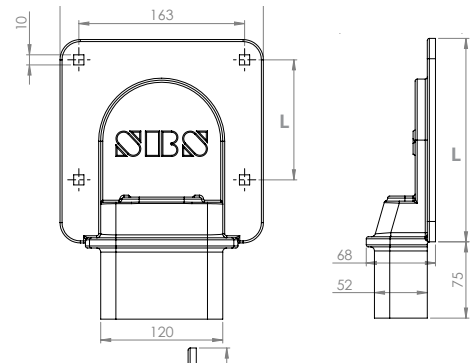


TECHNICAL DATA

Material Steel and stainless steel housing
Finish Zinc anti-rust treatment with red powder coating

OPTION

- Abloy PL358 or SBS PL7000 padlock
- Keyed alike/master key system



SBS-12-2303-EN