

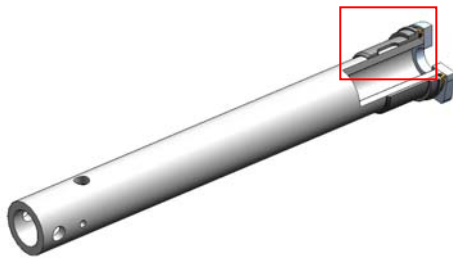
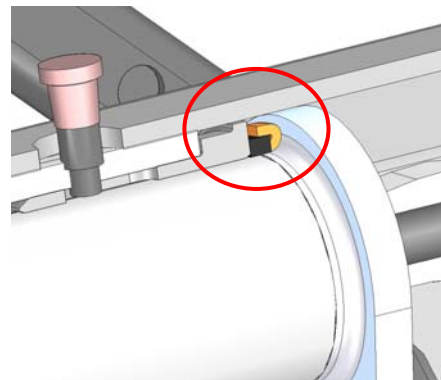
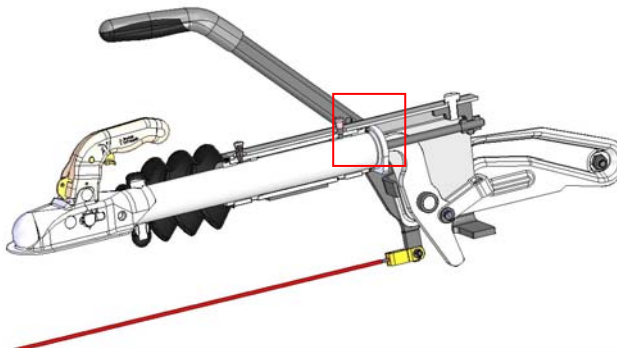
**NEW**

# Support ring with stop ring



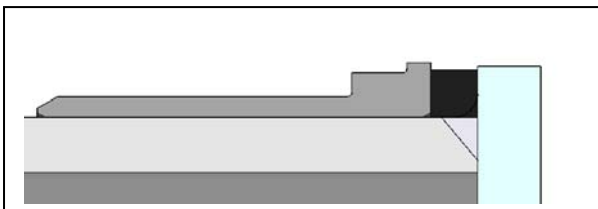
The "stop ring cpl.", consisting of rubber ring and metal support ring, can be used for all our draw tubes: Ø45, Ø50, Ø60

206596.003	Ø60	206212.003	206225.003
206596.002	Ø50	206212.002	206225.002
206596.001	Ø45	206212.001	206225.001
<b>Artikelnr.</b>	<b>Ø Zugstange</b>	<b>Art.nr. Anschlagring</b>	<b>Art.nr. Stuetzring</b>



**NEW stop ring**

The force peaks are damped by the rubber ring



**Old stop ring**

The complete pulling force is transmitted from the draw tube through the stop ring in the housing !

**NEW stop ring**

After that, the pulling force is transmitted directly by the metal ring to the housing  
The big advantage: The stop ring is not so exposed to high forces and the lifetime is significantly increased

