

ASPÖCK

Transmittal, reproduction, dissemination and/or editing of this document as well as utilization of its contents and communication thereof to others without express authorization are prohibited. Offenders will be held liable for payment of damages. All rights created by patent grant or registration of a utility model or design patent are reserved.

Part name:

1004 Front Position 9-33v

Part Number :

Flexipoint II LED / Front position lamp (9-33V)

Draw by:

Strubreiter

Date:

2013/04/11

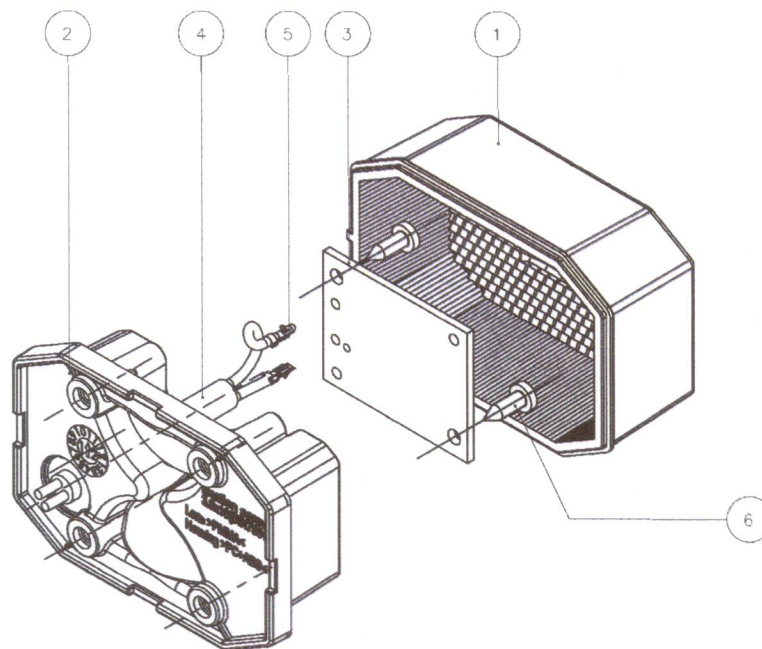
Checked by:

Steiner

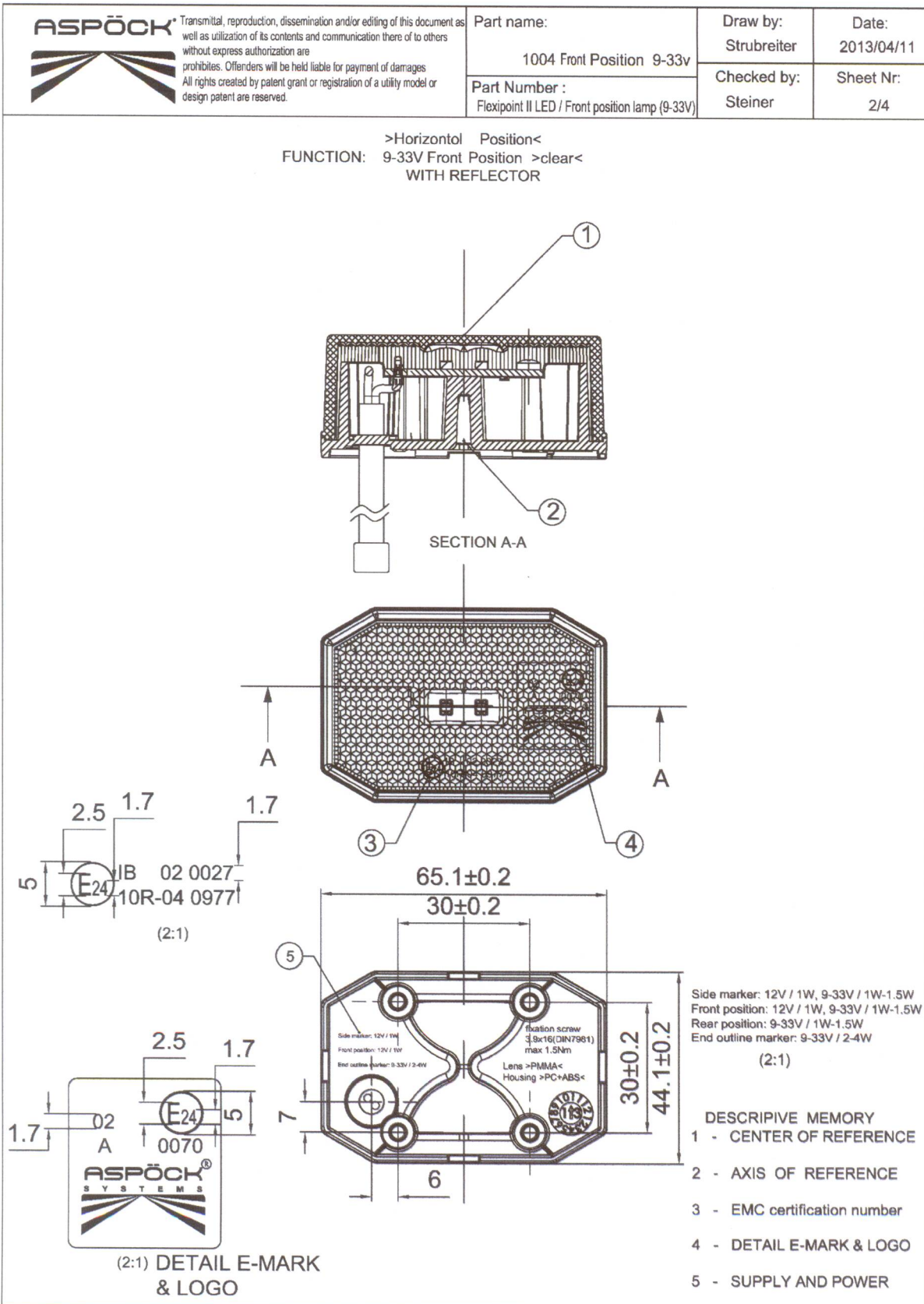
Sheet Nr:


1/4

FUNCTION: 9-33V Front Position >clear<
WITH REFLECTOR

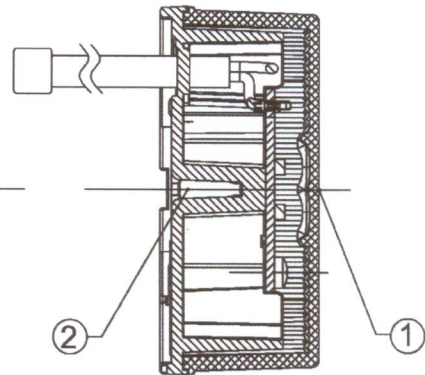
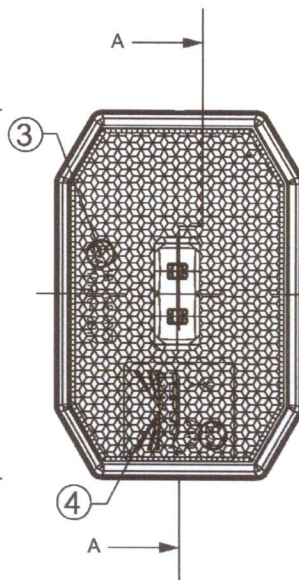
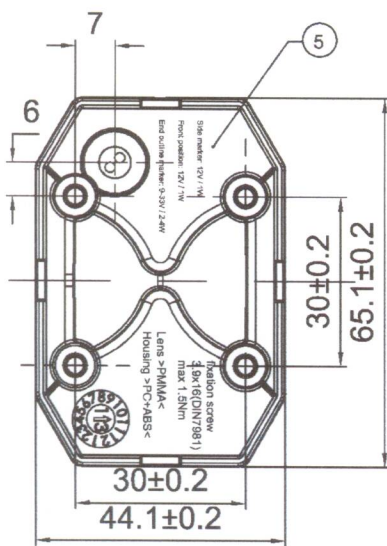


POS	TITLE	MATERIAL	QTY
01	Lens	PMMA clear	1
02	Housing	PC+ABS black	1
03	PCBA	FR4	1
04	Harness	DC: PVC / P&R: PVC "ADR"	1
05	Soldering pin	brass	2
06	Screw	A3	2

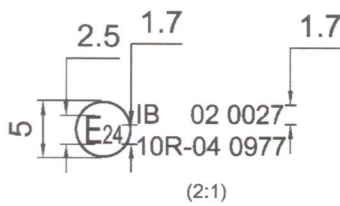


 <p>Transmittal, reproduction, dissemination and/or editing of this document as well as utilization of its contents and communication there of to others without express authorization are prohibited. Offenders will be held liable for payment of damages. All rights created by patent grant or registration of a utility model or design patent are reserved.</p>	<p>Part name:</p> <p>1004 Front Position 9-33V</p>	<p>Draw by:</p> <p>Strubreiter</p>	<p>Date:</p> <p>2013/04/11</p>
	<p>Part Number :</p> <p>Flexipoint II LED / Front position lamp (9-33V)</p>	<p>Checked by:</p> <p>Steiner</p>	<p>Sheet Nr:</p> <p>3/4</p>

>Vertical Position<
 FUNCTION: 9-33V Front Position >clear<
 WITH REFLECTOR

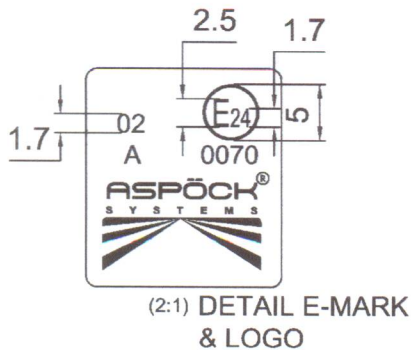


SECTION A-A



Side marker: 12V / 1W, 9-33V / 1W-1.5W
 Front position: 12V / 1W, 9-33V / 1W-1.5W
 Rear position: 9-33V / 1W-1.5W
 End outline marker: 9-33V / 2-4W

(2:1)



- DESCRIPTIVE MEMORY
- 1 - CENTER OF REFERENCE
 - 2 - AXIS OF REFERENCE
 - 3 - EMC certification number
 - 4 - DETAIL E-MARK & LOGO
 - 5 - SUPPLY AND POWER

ASPÖCK

Transmittal, reproduction, dissemination and/or editing of this document as well as utilization of its contents and communication thereof to others without express authorization are prohibited. Offenders will be held liable for payment of damages. All rights created by patent grant or registration of a utility model or design patent are reserved.

Part name:

1004 Front Position Lamp 12V

Part Number :

Flexipoint II LED / Front position lamp (12V)

Draw by:

Strubreiter

Checked by:

Steiner

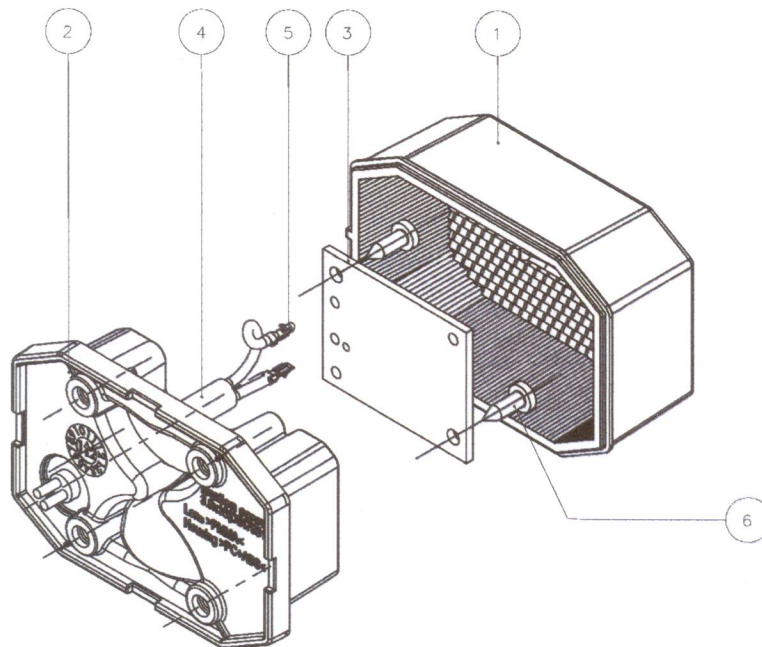
Date:

2013/04/11

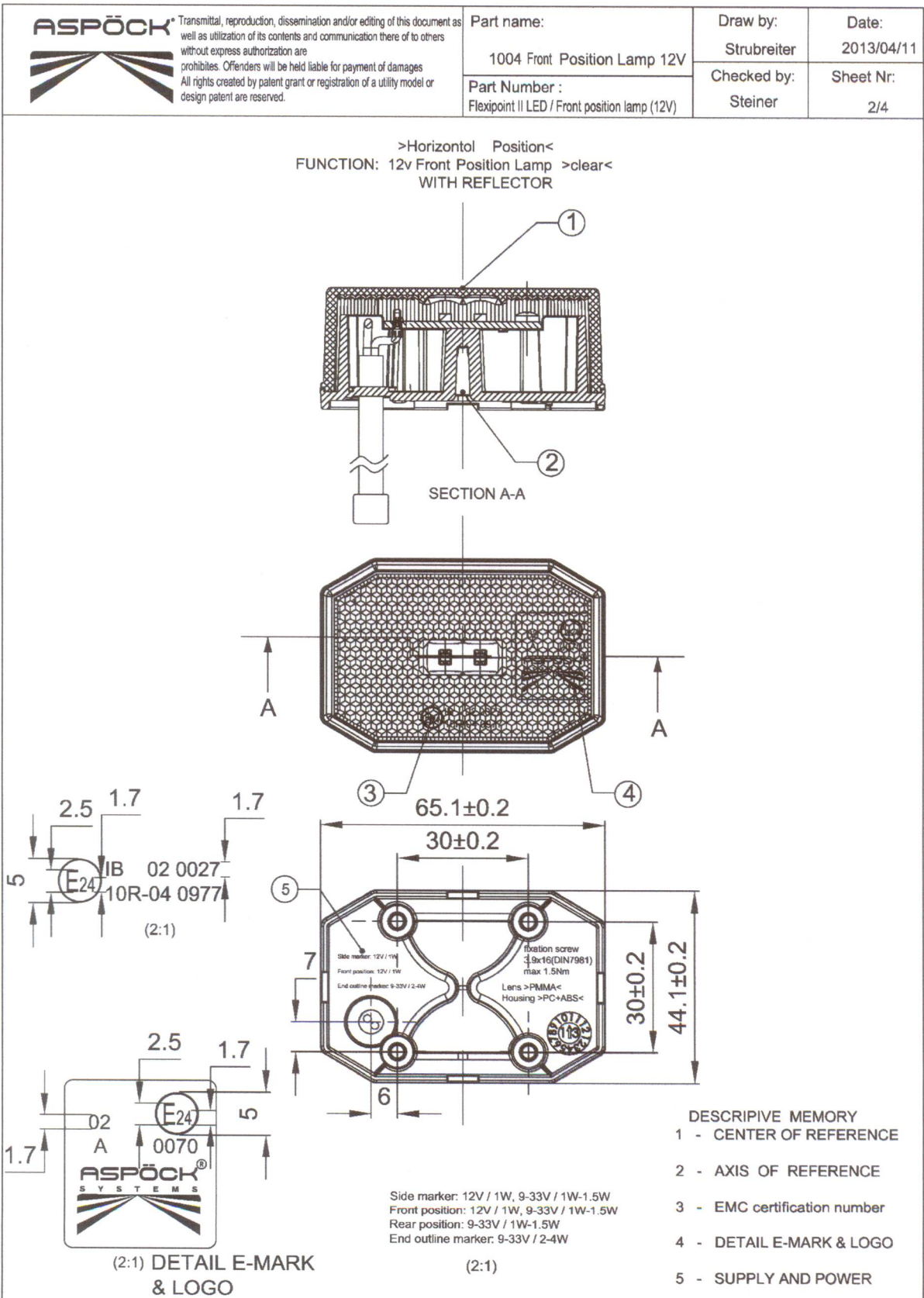
Sheet Nr:


1/4

FUNCTION: 12V Front Position Lamp >clear<
WITH REFLECTOR

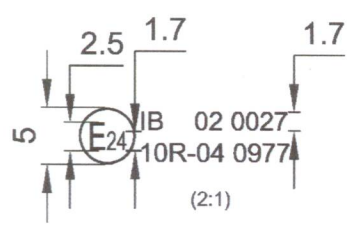
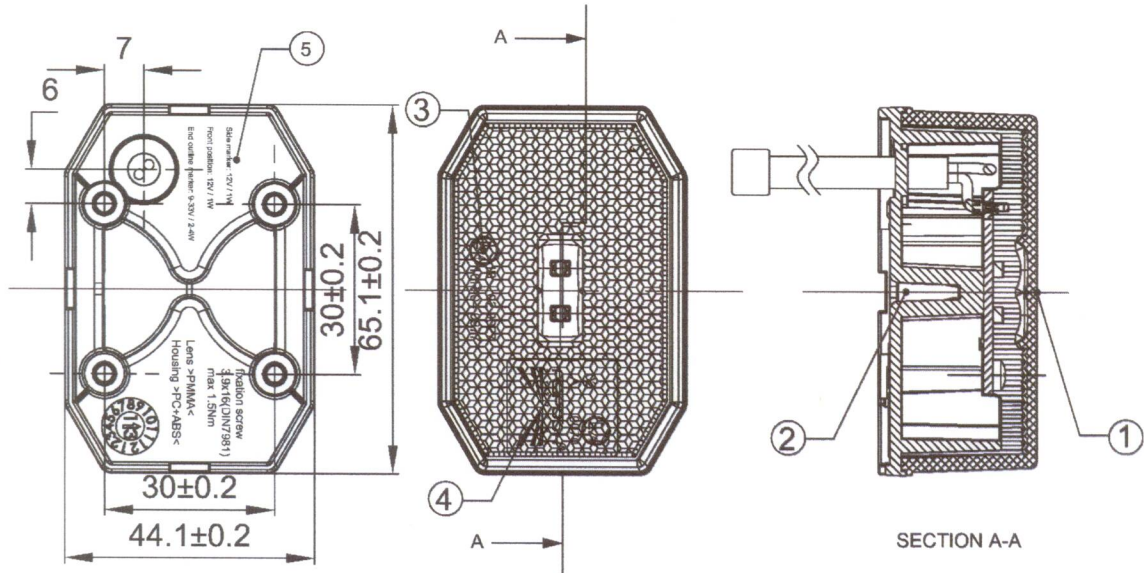


POS	TITLE	MATERIAL	QTY
01	Lens	PMMA clear	1
02	Housing	PC+ABS black	1
03	PCBA	FR4	1
04	Harness	DC: PVC / P&R: PVC "ADR"	1
05	Soldering pin	brass	2
06	Screw	A3	2



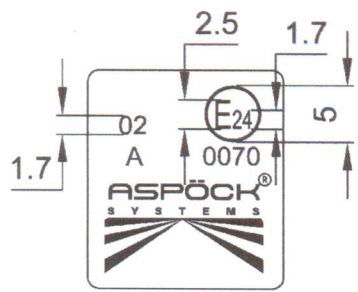
 <p>Transmittal, reproduction, dissemination and/or editing of this document as well as utilization of its contents and communication there of to others without express authorization are prohibited. Offenders will be held liable for payment of damages. All rights created by patent grant or registration of a utility model or design patent are reserved.</p>	<p>Part name: 1004 Front Position Lamp 12V</p>	<p>Draw by: Strubreiter</p>	<p>Date: 2013/04/11</p>
	<p>Part Number : Flexipoint II LED / Front position lamp (12V)</p>	<p>Checked by: Steiner</p>	<p>Sheet Nr: 3/4</p>

>Vertical Position<
FUNCTION: 12V Front Position Lamp >clear<
WITH REFLECTOR



Side marker: 12V / 1W, 9-33V / 1W-1.5W
Front position: 12V / 1W, 9-33V / 1W-1.5W
Rear position: 9-33V / 1W-1.5W
End outline marker: 9-33V / 2-4W

(2:1)



DETAIL E-MARK & LOGO

- DESCRIPTIVE MEMORY
- 1 - CENTER OF REFERENCE
 - 2 - AXIS OF REFERENCE
 - 3 - EMC certification number
 - 4 - DETAIL E-MARK & LOGO
 - 5 - SUPPLY AND POWER